

Ortlinghaus



DC650

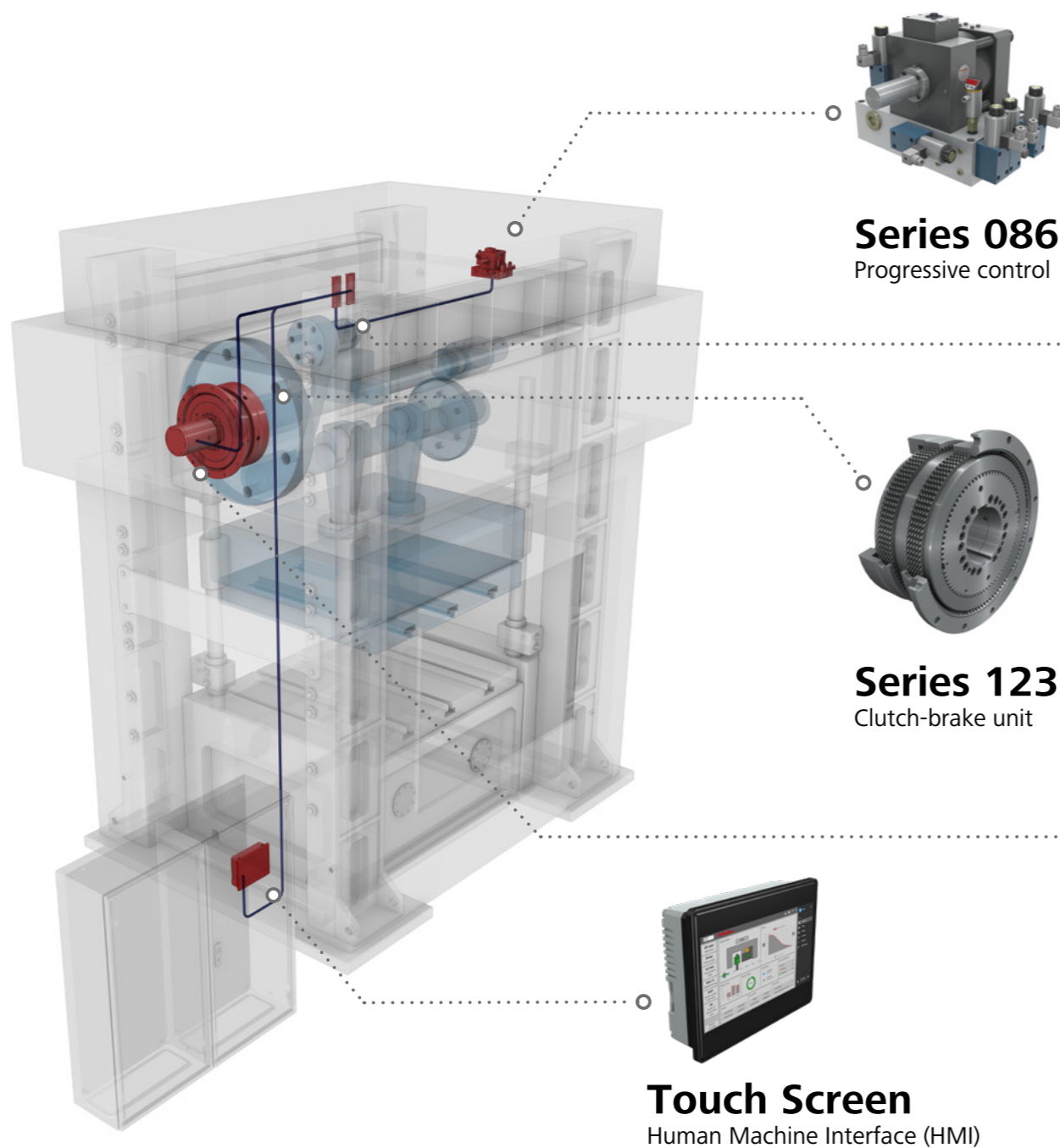
METAL FORMING TECHNOLOGY

Diagnosis and control platform

Digital protection for your forming machines

The new and innovative DC650 diagnosis and control platform was developed by Ortlinghaus to meet the demands of the market for digitalization.

DC650



DC650
Diagnosis and control platform

The DC650 is a scalable, flexible and highly compatible solution for both simple and complex diagnostic purposes. Designed for clutches, brakes and clutch-brake units in metal forming technology – also for our Prot.act series safety brakes.

Robust hardware and modern software enable application-specific monitoring of our technology.

With the integration of the DC650, condition values are measured seamlessly, critical conditions are detected and a machine breakdown may be prevented.

Our technical support and/or necessary spare parts can then be ordered in time before a machine breakdown occurs, thus improving the long-term availability of the machine.

As a machine builder or operator you can benefit from the advantages of the DC650 in next to no time through simple integration into the existing machinery.

Integrated system solution

The DC650 combines Ortlinghaus hardware with a modern, self-developed and secure software.



Hardware

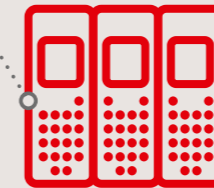
Customizable fieldbus connectivity

- Profinet, Modbus/TCP
- CAN bus based protocols



Scalability

- Multiple units can be combined to increase I/O capacity



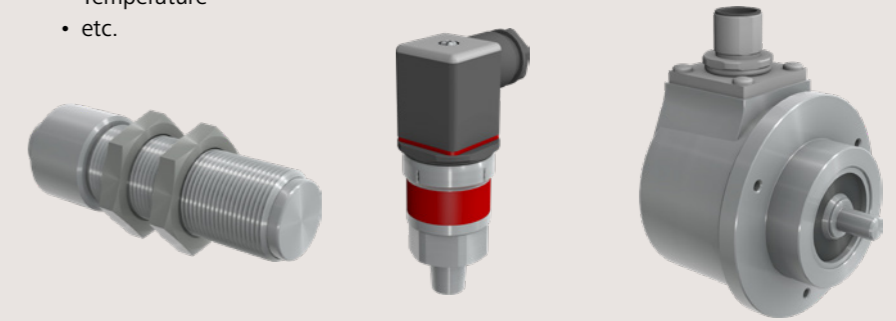
Communication with cloud services

- Connection via LAN
- Communication via MQTT



Integration of different sensor types

- Pressure
- Speed
- Temperature
- etc.



Integrated web server

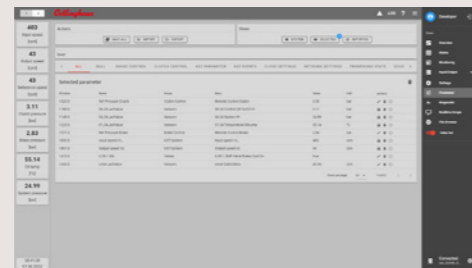
- Access per web browser
- No extra software required



Software

Parameter editor

- Clearly structured management of all parameters



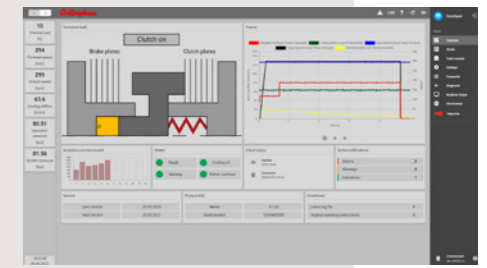
Notifications and error list

- List of current and previous information
- Timecode for each entry



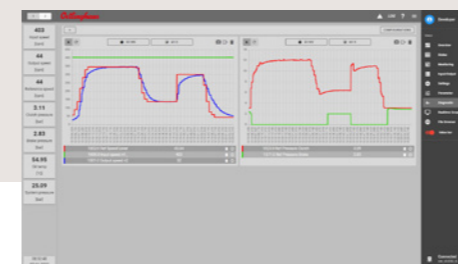
Application view

- Everything at a glance in the process overview
- Practical value bar for permanent control



Scope function

- Useful scope function and convenient export function for data analysis



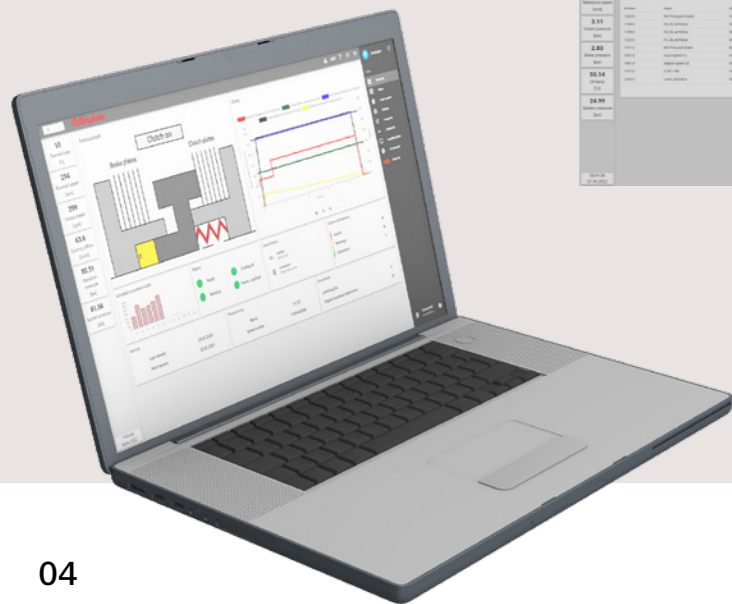
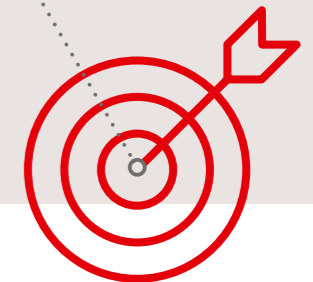
IT security

- Ortlinghaus software based on IEC 62443
- Wi-Fi can be deactivated
- No need for local network integration



General functions

- Intuitive software update via browser
- Easy log file download



Benefits

Arrange a product presentation with us and experience the advantages and possibilities of the DC650 for yourself.

Increased safety through emergency system shutdown



Lower preventive maintenance costs through:

- Remote access to status data (optional with cloud connection)
- Condition diagnosis with the aid of memory data
- Condition diagnosis during press operation, which does not require machine downtime



Increased machine availability through:

- Continuous condition monitoring of process parameters such as speeds, pressures and flow rates
- Determination of the thermal load of Ortlinghaus clutches, brakes and clutch-brake units
- Detection of critical conditions
- Warning in case of wear, (sensor) defects and excessive pressure loss



Long-term data acquisition of operating states through:

- Integrated memory function
- Extended memory function (by use of optional cloud connection)

Quick and easy commissioning of the Ortlinghaus technology through complete integration of the DC650 into the machine structure



Lower maintenance costs through:

- Early detection of wear to minimize the need for spare parts
- Planned maintenance intervals with optional remote maintenance

Technical data



- Clutch pressure
- Output speed
- Input speed
- Additional pressure sensors
- Cooling oil flow rate

DC650

Technical data	DC650
Diagnosis-LEDs	1 × Status, 1 × Warning, 1 × Error, 2 × Application, 1 × Safety warning, 1 × Safety error
Power supply	19 – 36 V DC, galvanically isolated, redundant
Interfaces	
Network	1 × Ethernet 10/100 Mbit/s, M12 D-coded
Bus protocols	Profinet / Modbus/TCP, CAN
Bus interfaces	2 × Ethernet, M12 D-coded
Other	
Protection class	IP65
Web visualization	Yes
Dimensions	340 mm × 120 mm × 35 mm

Ortlinghaus-Werke GmbH
Kenhäuser Str. 125
42929 Wermelskirchen
Germany

Phone: +49 (0) 21 96 85-0
Mail: info@ortlinghaus.com
www.ortlinghaus.com